



Color: Black-White



NEMA: 5-15P



5266-C

Description

15 Amp, 125 Volt, NEMA 5-15P, 2P, 3W, Plug, Straight Blade, Industrial Grade, Grounding, - Black-White

Product Features

Grounding: Grounding

Amperage: 15 Amp

Voltage: 125 Volt

NEMA: 5-15P

Pole: 2

Wire: 3

Cord Range: .245 - .700

Wire Gauge: 18-10 AWG

Blades/Contacts: Solid Brass

Body Material: Super Tough Nylon

Assembly Screws: Steel, Zinc Plated

Color: Black-White

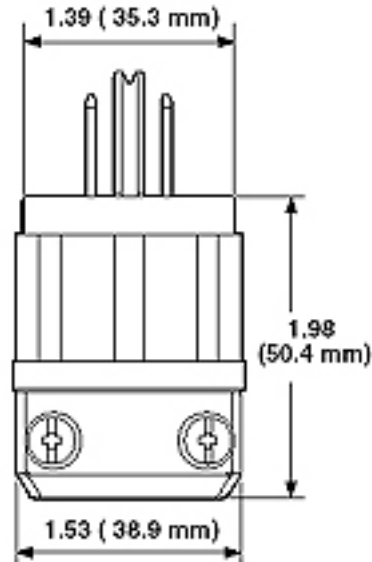
Standards and Certifications: UL/CSA

Warranty: Lifetime Warranty

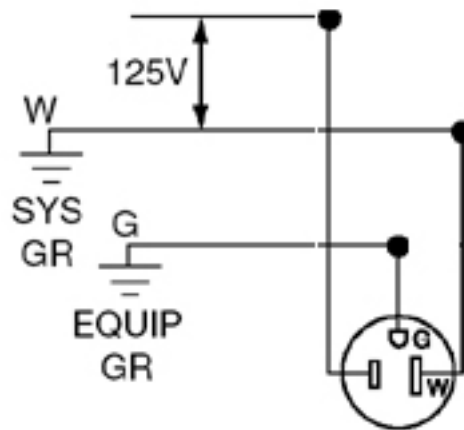
Features and Benefits

- For fast assembly, Black & White devices feature:
 - Backed-out, color-coded brass terminal screws
 - Deep slotted triple drive face module and cord clamp screws
 - Deep wire wells with transparent wiring chambers
- Nylon face module features Amperage, Voltage, and NEMA configuration molded into face for easy identification and replacement.
- Fluted nylon housing makes it easier to grip with gloves and in debris-laden environments
- Thick-walled, super tough nylon housing resists abuse and impact
- Single piece external cord clamp includes catalogue number and NEMA configuration for easy identification
- External cord clamp accepts wire mesh connection grips
- Plugs ship with standard white and black cord clamp. Color-coded cord clamps available to identify amperage or equipment. Choose from blue, green, yellow, red, and orange.

Dimensional Diagram



Wiring Diagram



5-15R

SPECIFICATION SUBMITTAL

JOB NAME: <input type="text"/>	CATALOG NUMBERS: <input type="text"/>	
JOB NUMBER: <input type="text"/>	<input type="text"/>	<input type="text"/>

Leviton Manufacturing Co., Inc.

201 North Service Road, Melville, NY 11747

Telephone: 1-800-323-8920 · FAX: 1-800-832-9538 · Tech Line (8:30AM-7:30PM E.S.T. Monday-Friday): 1-800-824-3005

Leviton Manufacturing of Canada, Ltd.

165 Hymus Boulevard, Pointe Claire, Quebec H9R 1E9 · Telephone: 1-800-469-7890 ·

FAX: 1-800-824-3005 · www.leviton.com/canada

Leviton S. de R.L. de C.V.

Lago Tana 43, Mexico DF, Mexico CP 11290 · Tel.: (+52)55-5082-1040 · FAX: (+52)5386-1797 ·

www.leviton.com.mx

Visit our Website at: www.leviton.com

© 2007-2009 Leviton Manufacturing Co., Inc. All rights reserved. Subject to change without notice.

Leviton has a global presence.

If you would like to know where your local Leviton office is located please go to:

www.leviton.com/international/contacts/

