



5666-C

Description

15 Amp, 250 Volt, NEMA 6-15P, 2P, 3W, Angle Plug, Straight Blade, Industrial Grade, Grounding - Black-White

Product Features

Grounding: Grounding

Amperage: 15 Amp

Voltage: 250 Volt

NEMA: 6-15P

Pole: 2

Wire: 3

Cord Range: .245 - .700

Wire Gauge: 18-10 AWG

Blades/Contacts: Solid Brass

Body Material: Super Tough Nylon

Assembly Screws: Steel, Zinc Plated

Color: Black-White

Standards and Certifications: UL/CSA

Warranty: Lifetime Warranty

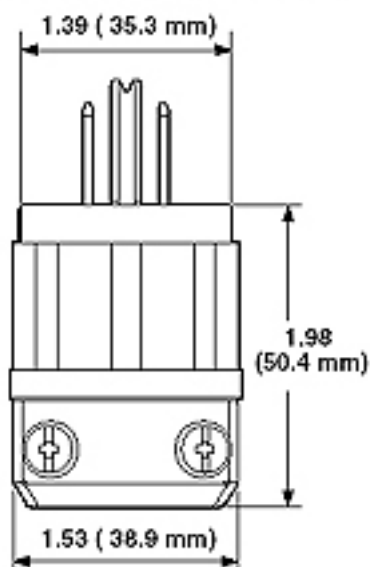
Color: Black-White



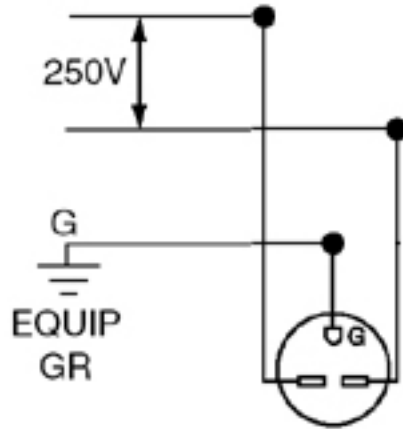
NEMA: 6-15P



Dimensional Diagram



Wiring Diagram



6-15R

SPECIFICATION SUBMITTAL

JOB NAME: <input type="text"/>	CATALOG NUMBERS: <input type="text"/>	<input type="text"/>
JOB NUMBER: <input type="text"/>	<input type="text"/>	<input type="text"/>

Leviton Manufacturing Co., Inc.

201 North Service Road, Melville, NY 11747

Telephone: 1-800-323-8920 · FAX: 1-800-832-9538 · Tech Line (8:30AM-7:30PM E.S.T. Monday-Friday): 1-800-824-3005

Leviton Manufacturing of Canada, Ltd.

165 Hymus Boulevard, Pointe Claire, Quebec H9R 1E9 · Telephone: 1-800-469-7890 · FAX: 1-800-824-3005 · www.leviton.com/canada

Leviton S. de R.L. de C.V.

Lago Tana 43, Mexico DF, Mexico CP 11290 · Tel.: (+52)55-5082-1040 · FAX: (+52)5386-1797 · www.leviton.com.mx

Visit our Website at: www.leviton.com

© 2007-2009 Leviton Manufacturing Co., Inc. All rights reserved. Subject to change without notice.

Leviton has a global presence.

If you would like to know where your local Leviton office is located please go to:
www.leviton.com/international/contacts/

