



Middle Atlantic Products

middleatlantic.com

Portable Media Shelf



Rackmount shelf designed specifically for portable media players and docks

Features

- Convenient for rackmounting portable media players and appropriate docks
- 4 rackspace (7") height allows use with various brands and styles of portable media players and satellite radio receivers
- Optional shelf available to enhance cable management and mounting of third party devices
- Glands protect cords and ease cable management
- Available in a textured or anodized finish



SH-DMP



rear view with optional shelf, SH-DMP-EXT

Architects' and Engineers' Specifications

SH-DMP-S, SH-DMP-A

Portable media player rackshelf shall be Middle Atlantic Products model # SH-DMP-__ (refer to chart). Overall dimensions shall be 19" W x 6.97" H x 8.25" D. Useable dimensions shall be 17.38" W x 5.86" H x 7.33" D. Portable media shelf shall be constructed of 16-gauge steel. Rear wall of portable media shelf shall have two (2) 1-1/2" openings with glands to allow for cable pass-through. Portable media player rackshelf shall be finished in a __ finish (refer to chart). Portable media player rackshelf shall be RoHS EU directive 2002/95/EC compliant. Portable media player rackshelf shall be warranted to be free from defects in material or workmanship under normal use and conditions for the lifetime of the product.

OPTIONS

SH-DMP-EXT

Rear accessory shelf for portable media player shelf shall be Middle Atlantic Products model # SH-DMP-EXT. Useable shelf area shall be 16.97" W x 3.88 H x 6.43" D. Rear accessory shelf shall be vented on the ears and bottom for optimal thermal management. Bottom of rear accessory shelf shall also include cable tie points for cable management. Cable tie points shall correspond to glands found on rear of portable media player rackshelf. Rear accessory shelf shall be RoHS EU Directive 2002/95/EC compliant. Rear accessory shelf shall be warranted to be free from defects in material or workmanship under normal use and conditions for the lifetime of the product.

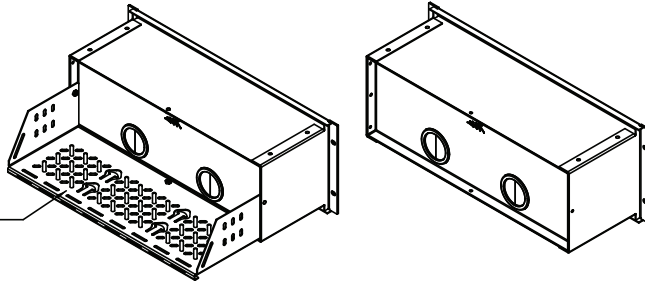
customizable specification clips available at middleatlantic.com

Exceptional Support & Protection Products™

SH-DMP basic dimensions

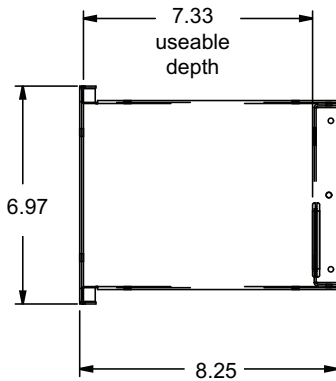
All dimensions in inches unless otherwise noted [All dimensions in brackets are millimeters]

Part #	Finish
SH-DMP-S	Black Textured
SH-DMP-A	Black Brushed and Anodized
SH-DMP-EXT	Black Powder Coat

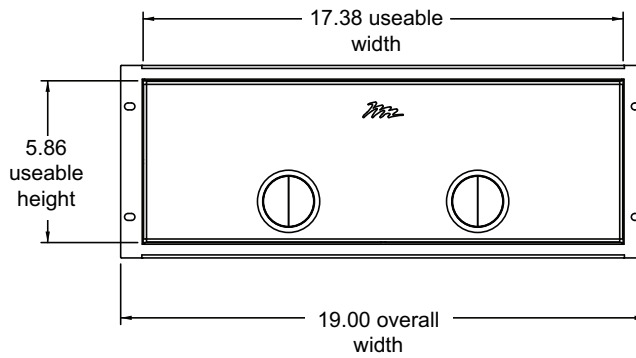


shown with optional rear shelf, SH-DMP-EXT

SIDE VIEW



FRONT VIEW



TOP VIEW

