



Middle Atlantic Products

middleatlantic.com

RM-LCD Series LCD Rackmount

EIA/TIA Compliant



LCD Rackmount available in three styles to mount monitors up to 32"

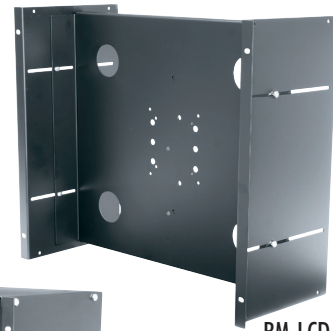
Features

- Mounts monitors with an VESA 75 and VESA 100 pattern
- Adjustable depth allows for recessing of monitor
- Models with a flat plate, tilt and telescoping arm available
- Models with flat plate and knuckle mount most monitors up to 20", depending on overall size
- Model with telescoping arm mounts monitors up to 32"

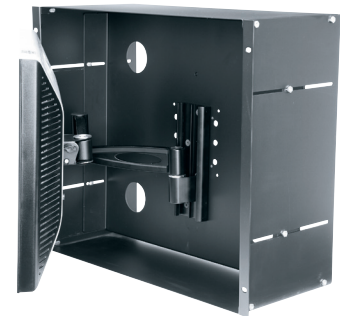
RM-LCD-MK



RM-LCD-MW



RM-LCD-MT



Architects' and Engineers' Specifications

EIA Compliant 19" LCD Rackmount shall be Middle Atlantic Products model # RM-LCD-(MV for flat plate, MK for tilt, MT for Telescoping arm). RM-LCD shall accept monitors with a VESA 75 or 100 mounting pattern. RM-LCD shall have a weight capacity of 35 lbs. RM-LCD shall have a durable black powdercoat finish. RM-LCD shall be constructed from 16-gauge steel. RM-LCD shall recess from 2" to 9" from the face of the rackrail. RM-LCD-MT shall tilt 160°. RM-LCD-MK shall have an arm with a range of 2.5" to 16.5". RM-LCD-(MV, MT) shall accept monitors of up to 20", with an overall width of no more than 17.38". RM-LCD-MK shall accept monitors of up to 32". RM-LCD shall be RoHS EU Directive 2002/95/EC Compliant. RM-LCD shall be warranted to be free from defects in material and workmanship under normal use and conditions for the lifetime of the product.

customizable specification clips available at middleatlantic.com

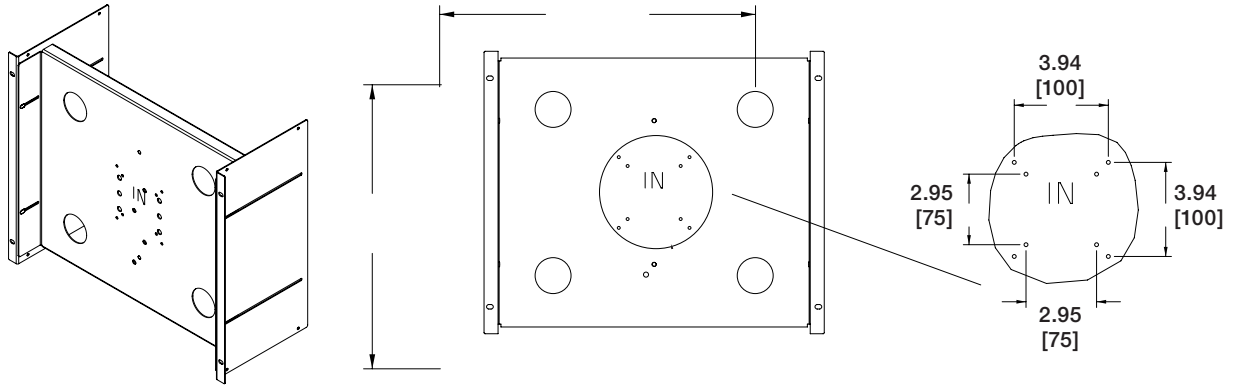
Exceptional Support & Protection Products™

US: New Jersey ▪ California ▪ Illinois ▪ Voice: 973-839-1011 Fax: 973-839-1976 ▪ middleatlantic.com
 Canada: Ontario ▪ British Columbia ▪ Voice: 613-836-2501 Fax: 613-836-2690 ▪ middleatlantic.ca

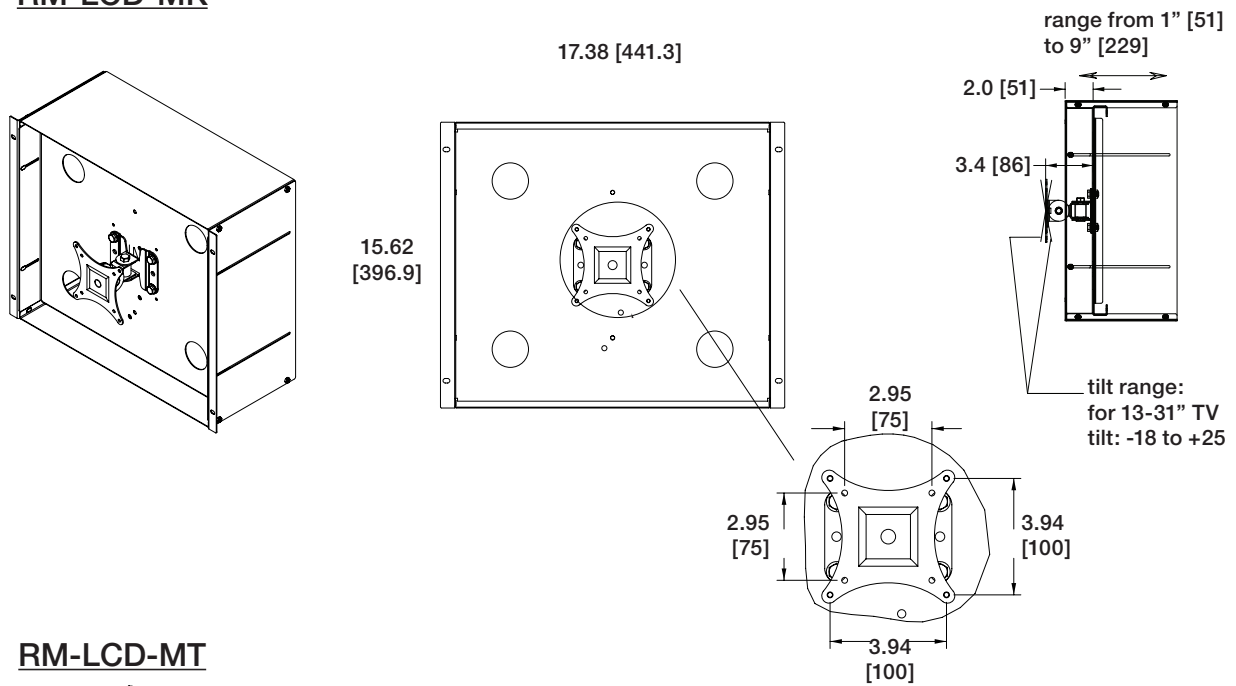
RM-LCD Series LCD Rackmount dimensions

All dimensions in inches unless otherwise noted [All dimensions in brackets are in millimeters]

RM-LCD-MV



RM-LCD-MK



RM-LCD-MT

